

MODEL # MO-70

INSTALLATION SHEET



COOK^N DINE

BUILT-IN ULTRADINE
PLUS COOKTOP

BUILT-IN ULTRADINE PLUS COOKTOP

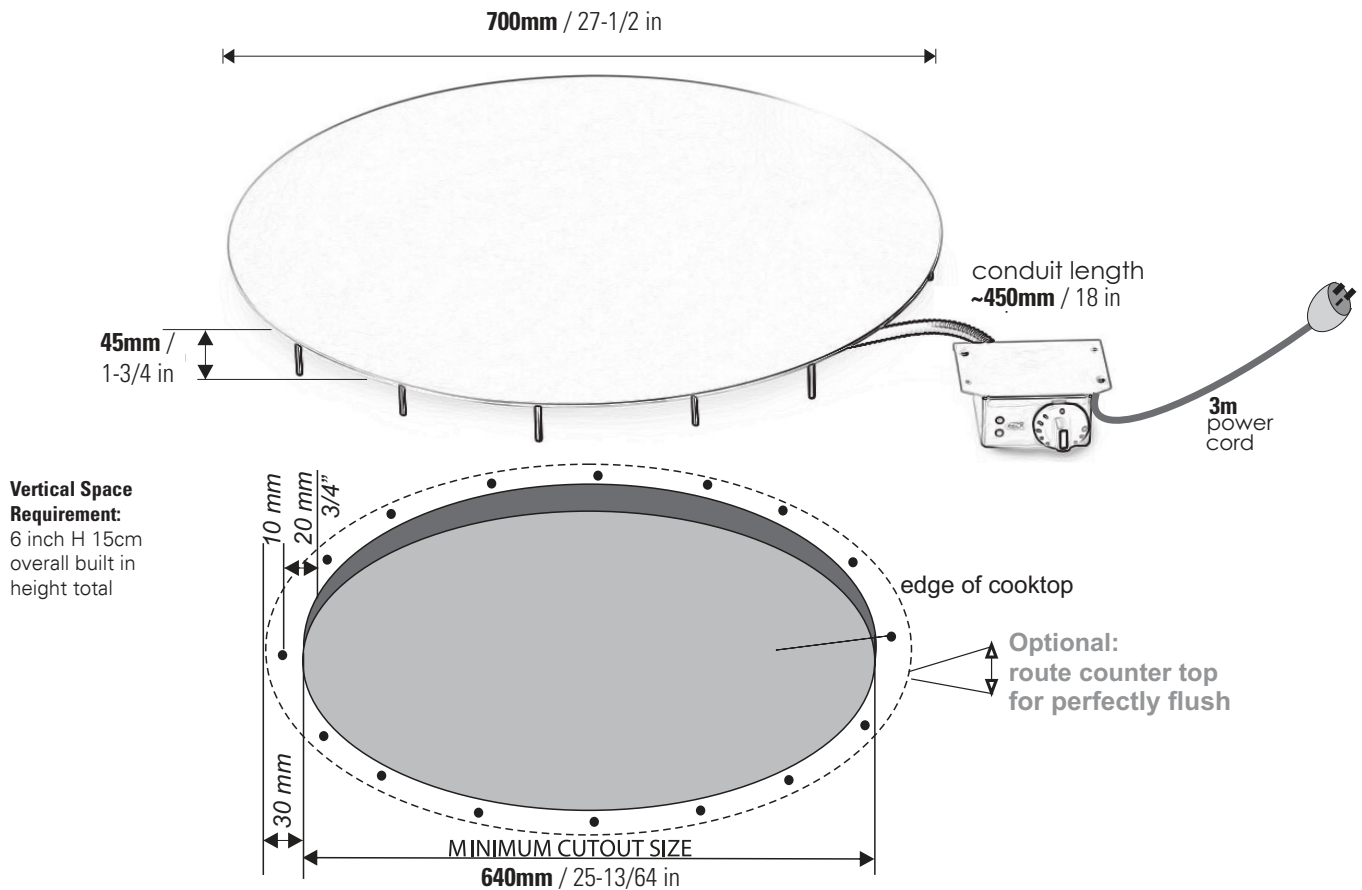
MODEL # MO-70

Install Sheet 1 of 4

- Electrical Rating: 2250W-240V, 10 AMP)
- Bolts are 1-3/4 inch (45mm) long; bolt diameter is 13/64"Ø (5mm) | drill 5/16"Ø (8mm)
- Always check control box label for correct voltage before plugging in.

IMPORTANT:

- Do not drill nor cut any holes before unit is physically present
- Do not cut off the bolts
- Do not open control box or warranty expires



The control box must be firmly fastened to a non-moving surface. Conduit + power cord to be secured.

CAUTION: Do not snap, pull or twist the conduit during installation.

Warranty becomes void if capillary tube (thermostat) inside the conduit is damaged during installation.

1. Mark bolt holes, drill 5/16 inch Ø. 8mm bolts will fit holes loosely. Clean counter surface thoroughly.
2. Clean underside edges of unit and counter top around cut out with rubbing alcohol or similar. *Optional: Apply thin bead of Silicone Sealant - not glue - around the edges of the underside of the unit.* This protects from potential moisture intrusion. Mandatory when installed outside without weather cover.
IMPORTANT: Make sure to prevent silicone from getting into the bolt holes.
3. Slide cook top into place. Do not apply excessive force. Unit needs to slide in without any resistance. Press down evenly to compress Silicone. Secure all bolts with supplied nuts and washers from underneath to ensure proper function. Find nuts, washers and the extension key for "B" control in a small plastic bag inside the box.
IMPORTANT: Tighten nuts with hand tool only. Do not use any power tools. Otherwise warranty becomes void.
4. Mark, drill and fasten the control box into place. Refer to separate install sheet for "B" Control. *Optional: seal the round metal plate with Silicone to prevent potential moisture intrusion.*
5. Connect the power cord very firmly to the rear of the control box.
IMPORTANT: Check label and outlet for correct voltage. Now connect the electrical 3-prong plug (other end) to a properly grounded power outlet.

COOK N DINE



BUILT-IN ULTRADINE PLUS COOKTOP

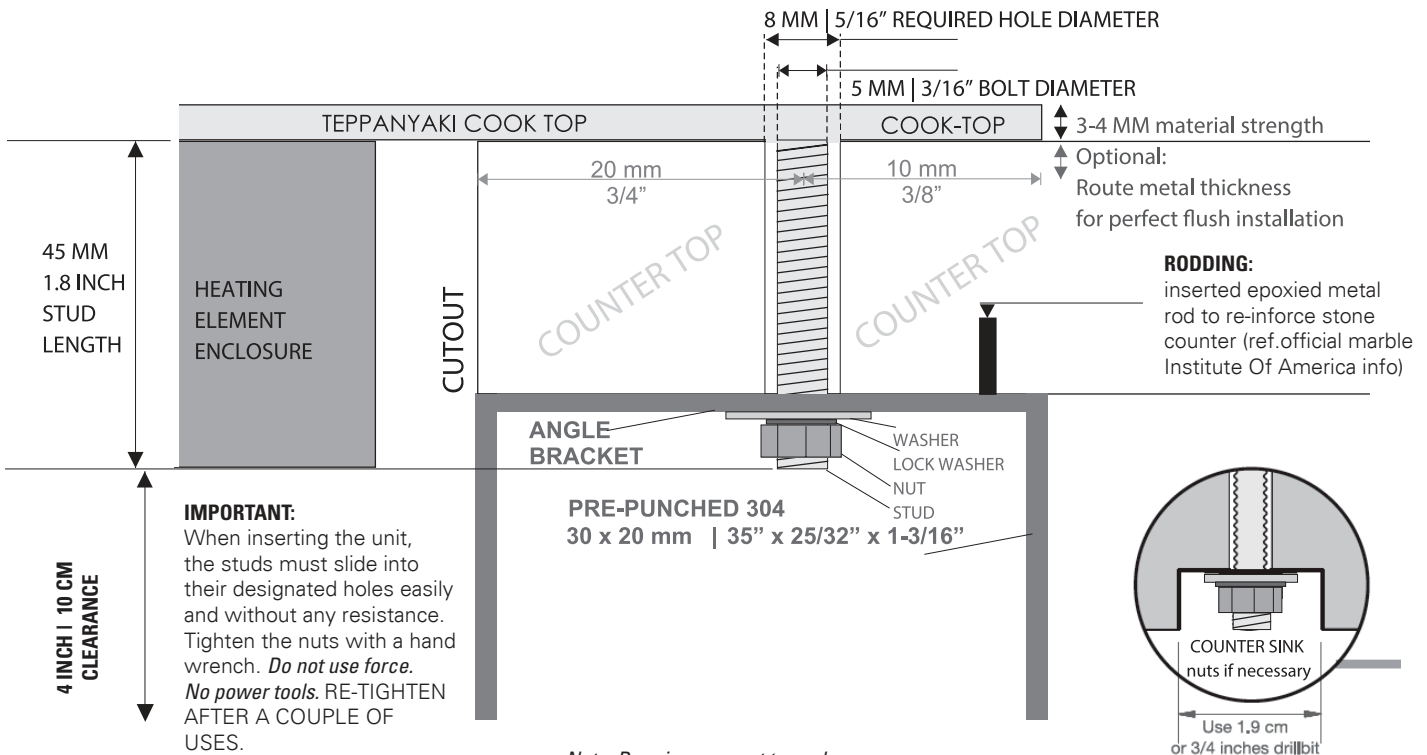
MODEL # MO-70

Install Sheet 2 of 4

Bolts/studs are 1-3/4 inch (45mm) long; bolt/stud diameter is 3/16"Ø (5mm). Drill 5/16"Ø (8mm)

IMPORTANT: Do not cut or drill before unit is physically present. do not cut off the bolts/studs.

The built-in units need to be surrounded on all 4 sides by at least 15cm (6 inches) of stone, wood or stainless steel.



INSTALLATION INTO STONE/GRANITE COUNTER TOPS

Please be reminded that the CND stainless steel grill surface will flex slightly when switched on thus developing a shallow dip in the cooking center. This motion is intended and is counteracted by the secured studs, which hold the unit in place. *Talk to your supplier and installer ahead of time. You must provide them with a full set of install sheet documentation at that time.* An experienced stone professional will be able to advise on all aspects to watch out for, e.g. on how much counter-top ("meat") is necessary at the narrowest point for the particular stone of choice to accommodate a Cook-N-Dine built-in appliance properly. **Recommend minimum 150mm from counter edge to edge of cooking top are strongly advised.**

IMPORTANT: Counter top thickness of ~40mm / 1.5 in is manufacturer advised unless material has been re-inforced by means of rodding or comparable.

RODDING

Rodding is a professional business practice to strengthen porous, fissured or "brittle" Natural Stone/Granite. Narrow areas of material surrounding large cutouts (e.g. sinks, cook tops) are reinforced on the underside. This will support and strengthen those areas and is intended to prevent possible damage.

CND offers 304 stainless steel custom-made 12 gauge pre-punched angle brackets (order separately) which can be installed along the full length of the cutout (both long sides). The unit is then fastened through the brackets' pre-punched holes (see above). Stress applied to the counter material during operation should thus be evenly distributed.

IMPORTANT: The use of brackets cannot guarantee the prevention of damage. Everything strictly depends on the natural properties of the counter top material. Therefore, Cook-N-Dine can-not be held responsible for any type of damage to stone counter tops due to installation/operation of CND units.

Make sure to have the unit and all install sheets on site ahead of time for counter top templating.

CAUTION: Do not snap, pull or twist the flexible conduit during installation.

Warranty becomes void if capillary tube inside the conduit (thermostat) is damaged during installation. Control box must be firmly fastened to a non-moving surface.

NOTE:

- If the external cord/cable is damaged, it shall be exclusively replaced by the manufacturer or his service agent or a similar qualified person in order to avoid a hazard.
- This appliance is not intended for use by persons (including children) with reduced physical, sensory or mental capabilities, or lack of experience and knowledge, unless they have been given supervision or instruction concerning use of the appliance by a person responsible for their safety
- Children should be supervised to ensure that they do not play with the appliance.
- Warning: Accessible parts may become hot during use. Young children should be kept away.

COOK N DINE



BUILT-IN ULTRADINE PLUS COOKTOP

TYPE "B"
CONTROL BOX
CONCEALED
MOUNT

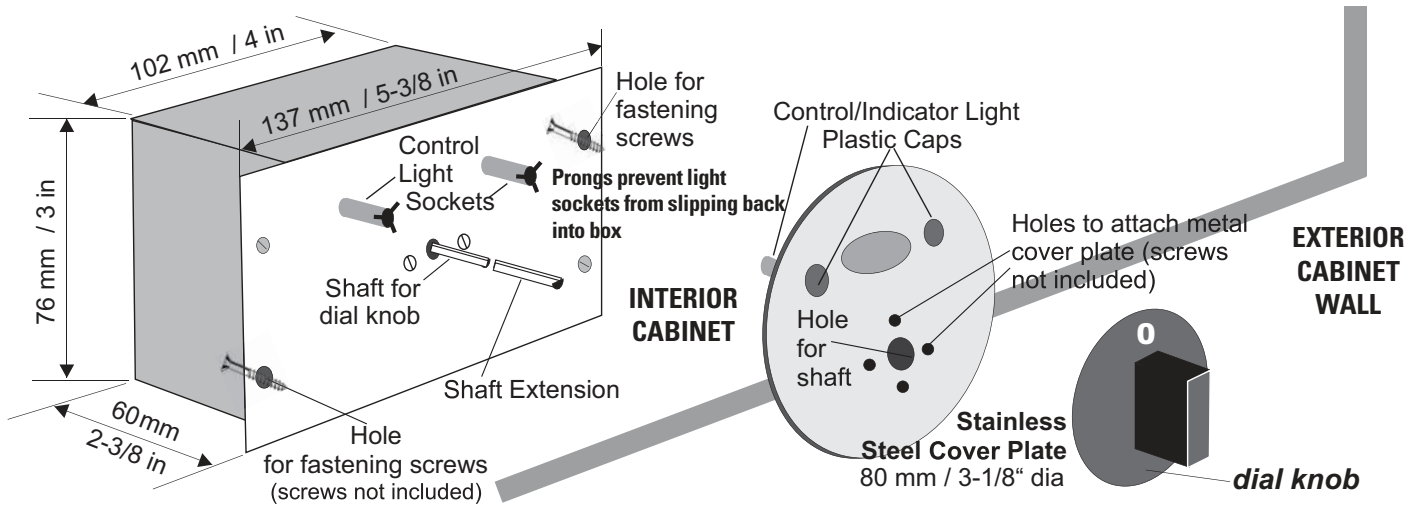
Install Sheet 3 of 4

CAUTION: Do not snap, pull or twist the conduit during installation.

Warranty will expire if capillary tube inside the conduit is damaged during installation.

Control box must be firmly fastened to a non-moving surface.

IMPORTANT: Do not open the control box or warranty expires.



DIRECTIONS

1. Remove packaging and carefully pull off the *dial knob* *only* while holding on to the round plate. Do not use force or tools.
2. Now separate the round steel plate from Control Light Sockets by carefully wiggling it away with the yellow and green light plastic caps. Hold one with two fingers and gently pull plate away; repeat with other. *Yellow and green plastic caps stay in place in the plate.*
3. Mark all necessary holes utilizing the provided template below. Drill required holes and gently thread light sockets through their designated openings. *Do not snap the prongs.* Now fasten the box to **interior** of cabinet wall or **underside** of counter top.
4. Gently pull light sockets out a little bit and re-connect with plastic caps in the metal plate; affix plate with two small flathead screws, or silicone into place.
CAUTION: Do not twist or snap delicate white wiring of indicator lights.
5. Connect the hollow extension to shaft if needed (packed with nuts + washers). Slide dial knob onto stem (match flat side of stem with flat side of female receptacle at back of knob). Do not use force.

BUILT-IN ULTRADINE PLUS COOKTOP

TYPE "B"
CONTROL BOX
CONCEALED
MOUNT

IMPORTANT: To use as 1:1 template set "page scaling" to "none" when printing.

Install Sheet 4 of 4

